

Currently Available Pods

Pressurized Payload Bay



MXP



Palantir

Unpressurized



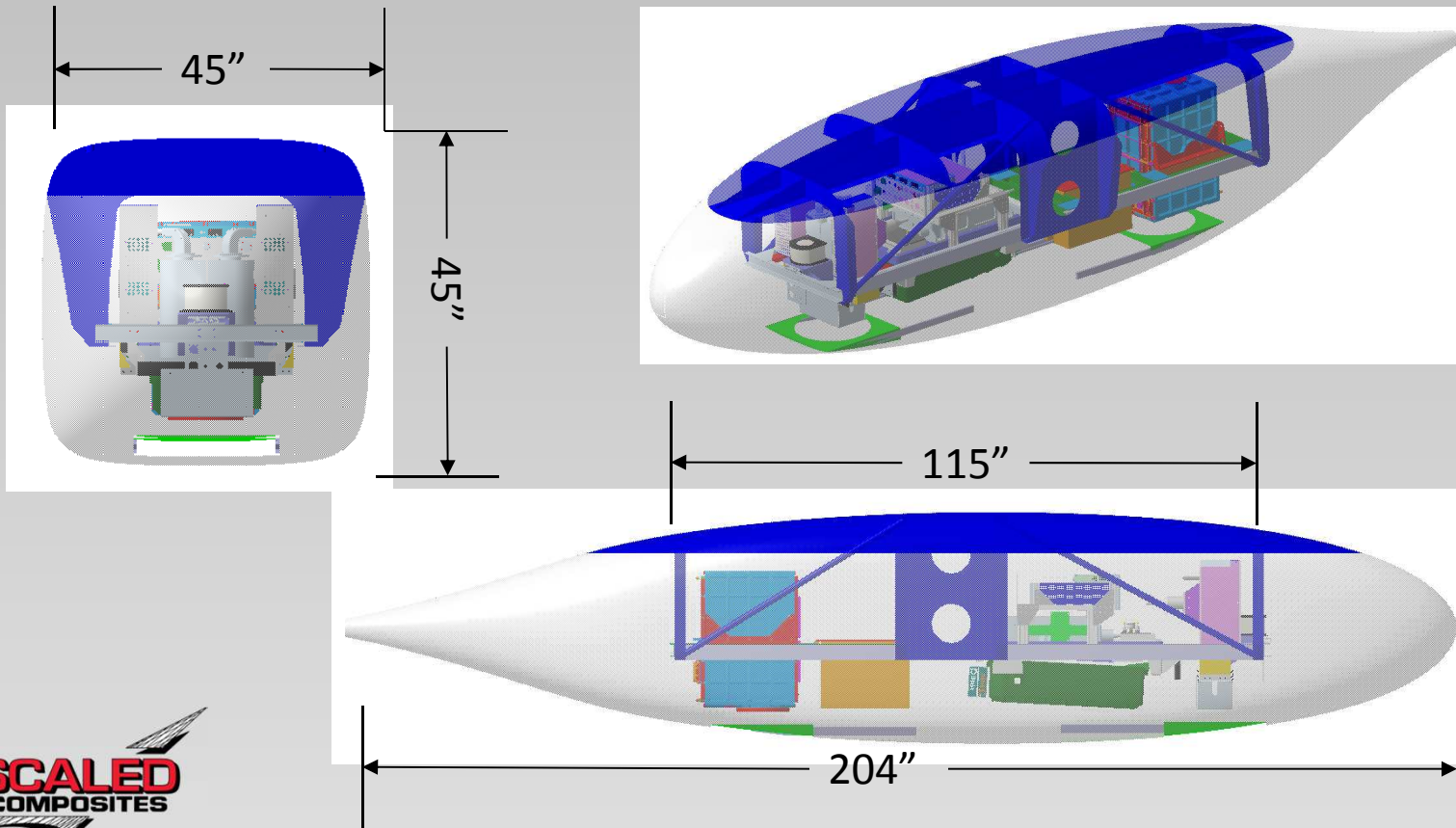
ER-2 Surrogate



ER-2 Surrogate

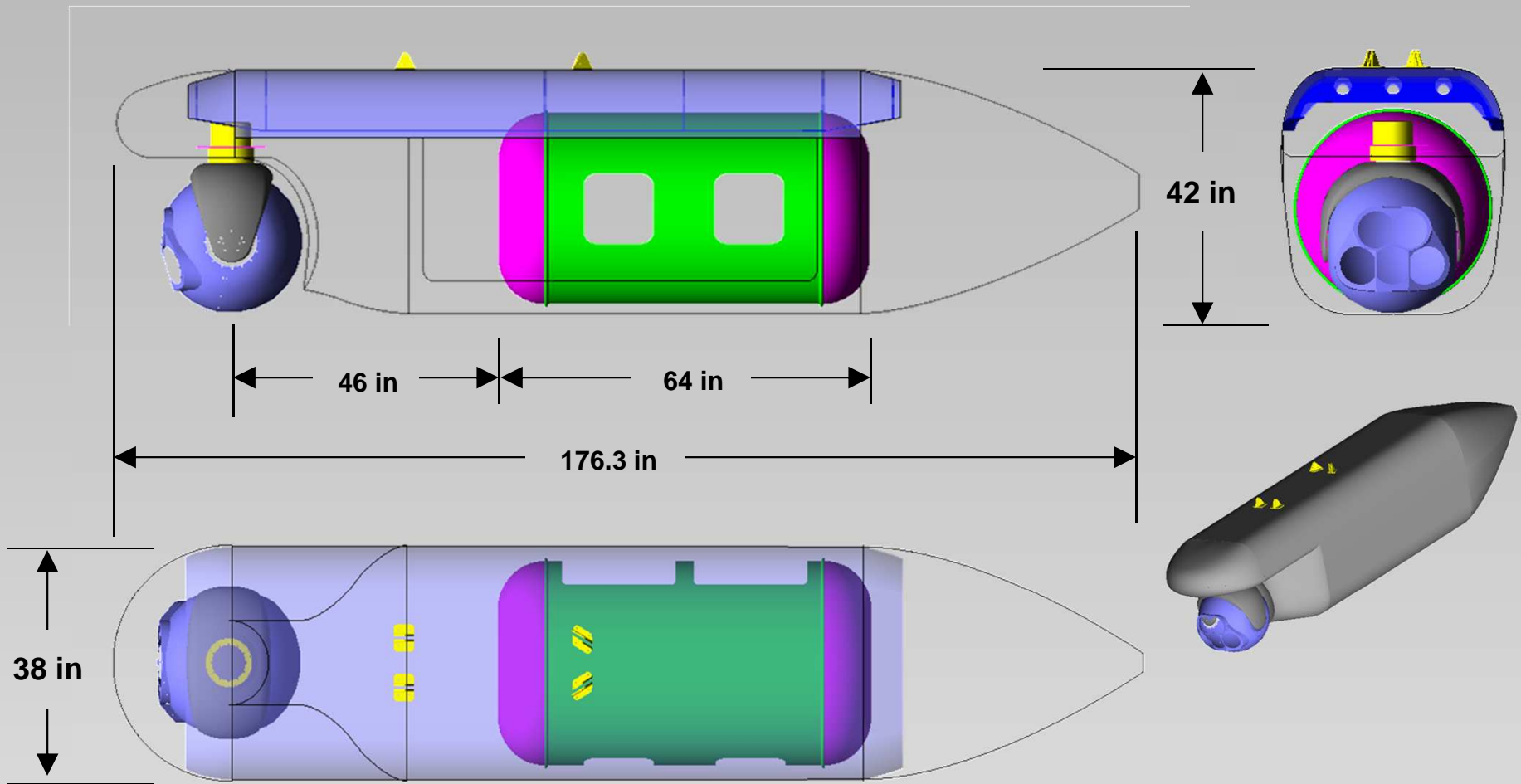
ER-2 Surrogate Pod

- The exterior dimensions and strong back structure (in blue) are fixed
- The mounting arrangement is variable
- The sensor is shown as an example



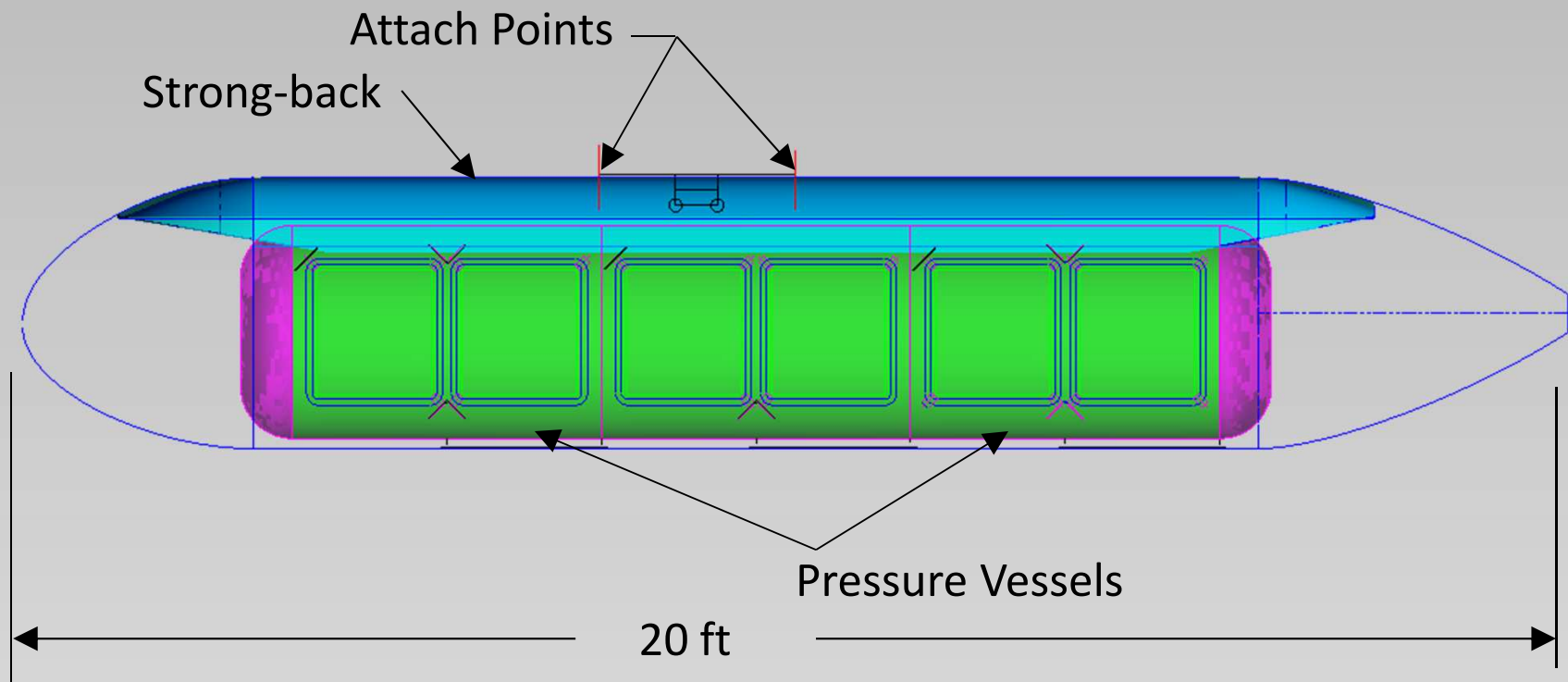
Palantir

1 or 2 Pressurized Sections w/ Gimbal

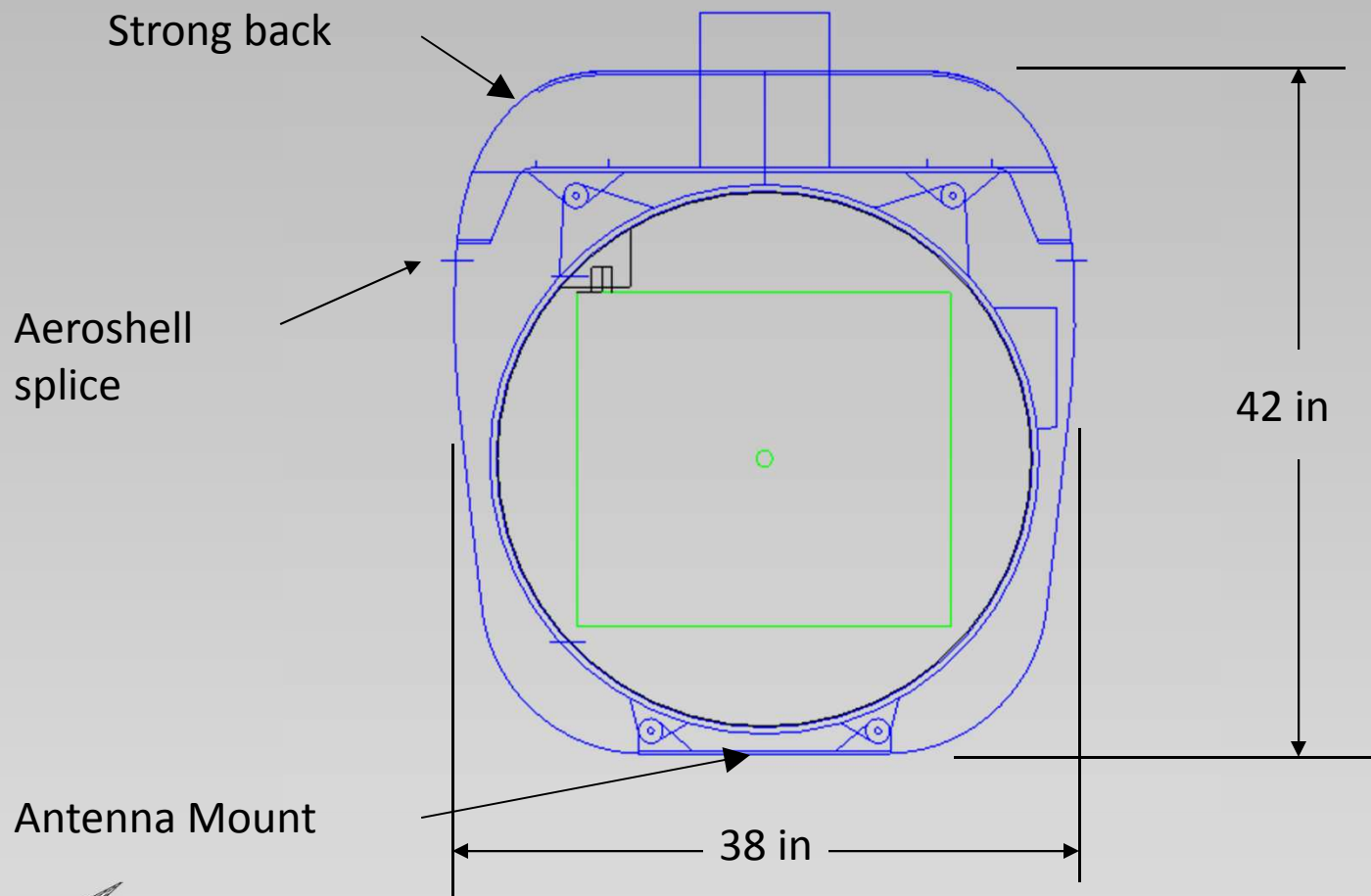


MXP

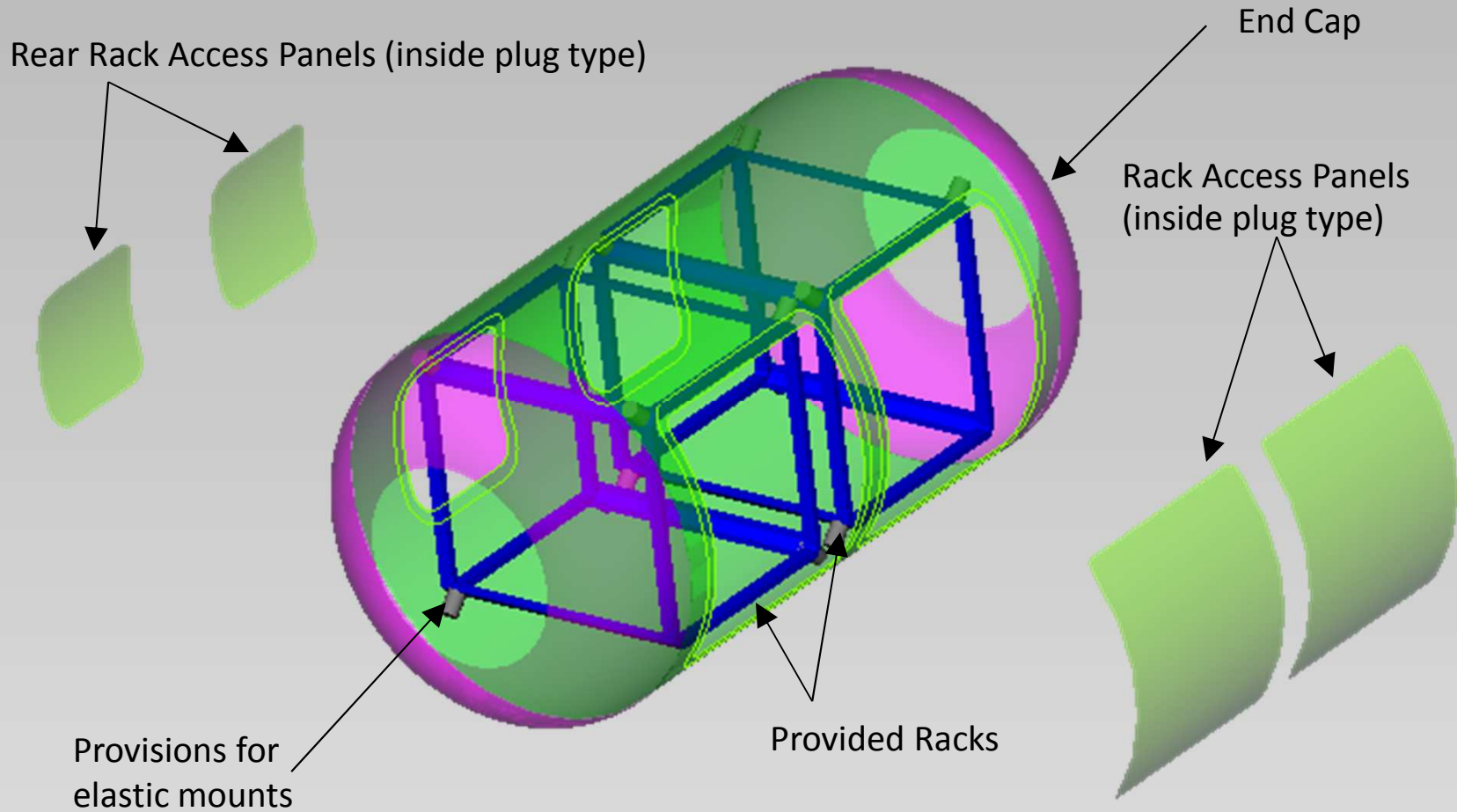
Pressurized w/ 6 X 19U Electronics Racks



Pressurized Cross Section

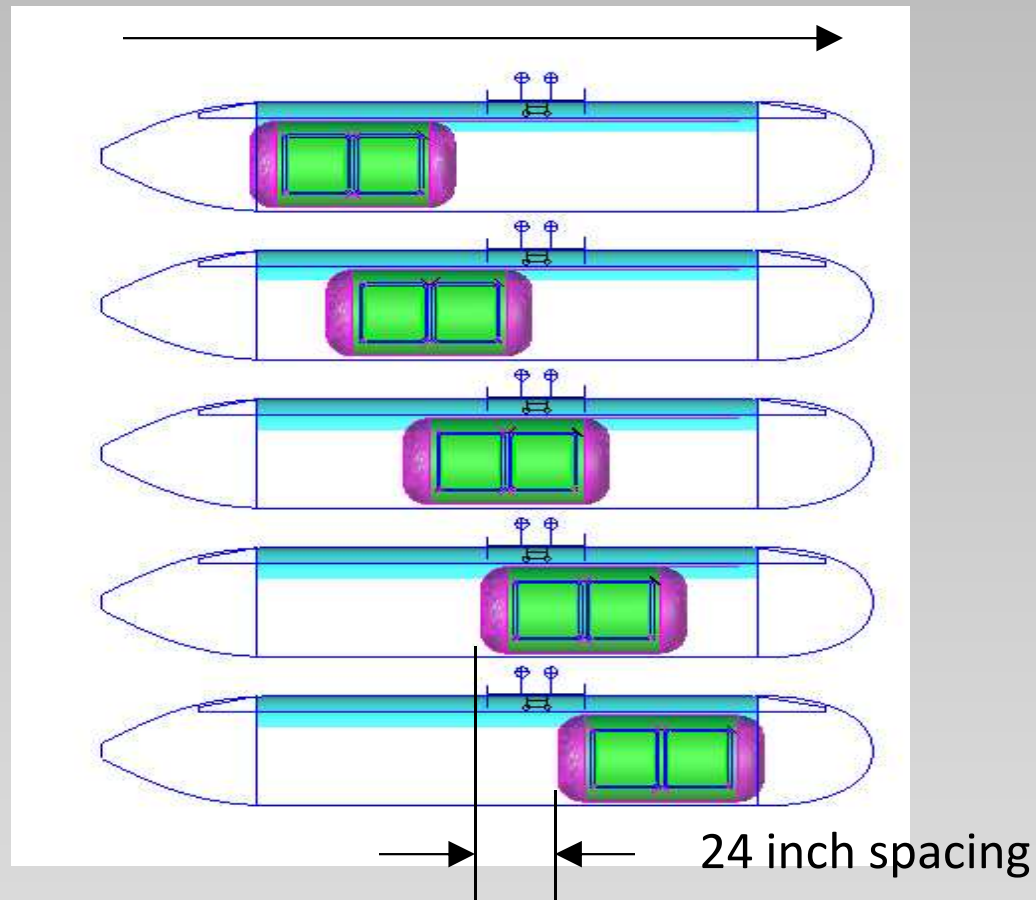


Pressure Vessel Design Features



Pressure Vessel Modularity

Single Vessel Operations 5 Possible Locations



Pressure Vessel Modularity

